



SHOWROOM
EXCLUSIVE

onyx

Orbit Electric

Defying gravity

Designed for an out-of-this-world fireside experience, Onyx Orbit electric fires defy the norm with a floating presence and ultra-contemporary styling – with, or without the heat.

Granting an expansive view of an exposed flame effect and lifelike oak logs, the Orbit's pendant aesthetic provides a dramatic suspended centrepiece, particularly suited to open living spaces and also making a statement in homes with vaulted ceilings.

But what's more, once installed, the Orbit can be rotated up to 340°, allowing you and your guests to enjoy its mesmerising flame picture from almost anywhere in a room.

The Orbit boasts a host of impressive Chromalight® visual effects, including three flame colours and a range of fuel bed lighting options to suit your ambience. The realistic oak log-effect is bathed in complementary downlighting, whilst moodlighting that skirts around the interior of the fire tailors your experience further, enhancing your mood with a choice of 13 colours, plus a spectrum mode that cycles through them all.



View the Video

onyxfires.com/orbit





Complete control

Onyx Orbit fires come with a thermostatic eco handset to give you complete and easy control over the host of features, heating and visual settings – all from the comfort of your favourite chair. Flames, fuel bed lighting and heating can all be controlled independently to create the desired atmosphere, with or without heat output.

Innovative energy-saving features let you 'set and forget' your Onyx Orbit to turn heating on or off, as well as intelligently manage the heat output to minimise energy use, such as open window detection, so you can completely immerse yourself in the visual effects.

Key features

- Ceiling-hung fire
- Can be used with or without the heat
- Rotate up to 340° for altering your preferred viewing aspect
- Lifelike oak log-effect
- Open-fronted aesthetic
- Up to 1.5kW heat output
- Chromalight® Immersive LED System
 - Three flame colour choices: amber; amber with blue accent; blue
 - 13 different fuel bed lighting colours, plus spectrum mode
 - Integrated moodlighting with 13 colours, plus spectrum mode
 - Adjustable brightness for fuel bed, moodlighting and flame effects
- Bracket option for flat ceiling, or fully adjustable bracket option for vaulted/angled ceilings
- Various flue pipe length options to suit varying ceiling heights
- Thermostatic eco handset
- Ecodesign compliant





Experience the exceptional

When you choose Onyx, you are choosing more than just a fire or stove. You are choosing the pinnacle of British innovation and quality. You are choosing prestige. As part of the award-winning Stovax Heating Group, Onyx is the culmination of over 40 years of experience designing and crafting best-in-class heating products. Every fire and stove is born in our state-of-the-art research and development laboratories, and incorporates industry leading technology and design.

THE ONYX RETAILER NETWORK

We take great care to ensure that our fires are designed, tested, and manufactured to the highest possible quality and safety standards. We are just as determined to make sure they are sold and installed correctly so that you will enjoy years of pleasure from your purchase. Accordingly, you will find our Orbit range is exclusively available from our experienced, independent retailers' showrooms.



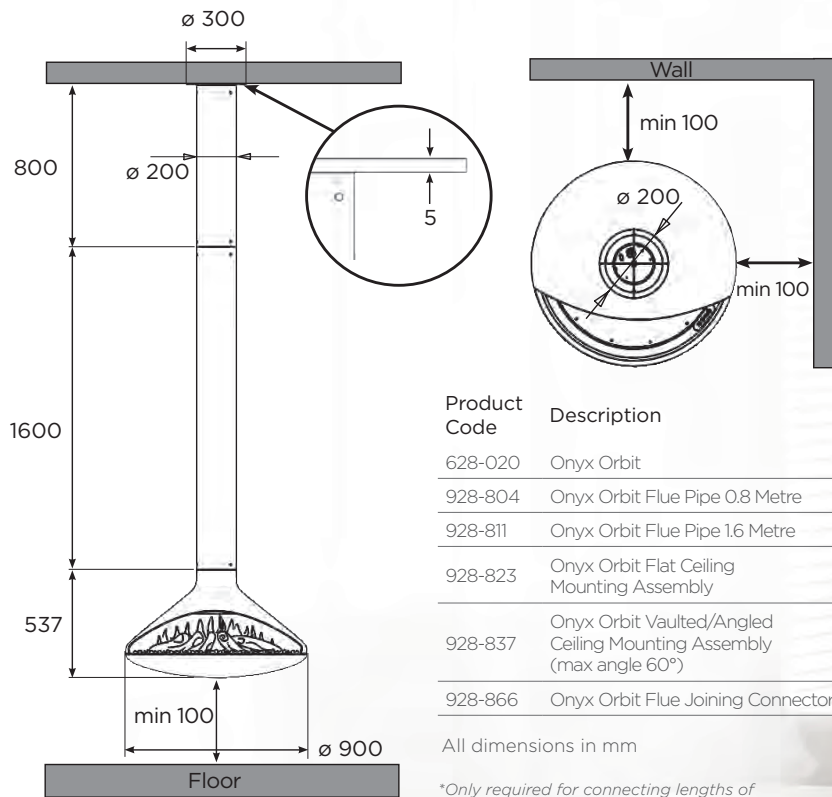
The Onyx promise

Your Onyx retailer will provide you with a Three Year Warranty for your new electric fire providing it is registered with Onyx. Please note this warranty excludes certain consumable parts. Fires purchased outside of Onyx's Expert Retailer Network will carry a standard One Year Non-Extendable Warranty, or minimum statutory warranty for your country. Full warranty terms and conditions are available at: onyxfires.com



FIND YOUR NEAREST ONYX SHOWROOM BY VISITING:
onyxfires.com/retailers

Technical information



Weight: 65kg

Product Code	Description
628-020	Onyx Orbit
928-804	Onyx Orbit Flue Pipe 0.8 Metre
928-811	Onyx Orbit Flue Pipe 1.6 Metre
928-823	Onyx Orbit Flat Ceiling Mounting Assembly
928-837	Onyx Orbit Vaulted/Angled Ceiling Mounting Assembly (max angle 60°)
928-866	Onyx Orbit Flue Joining Connector*

All dimensions in mm

*Only required for connecting lengths of flue (928-804 & 928-811). Not required for connection of the fire itself or ceiling assembly.



Additional information

Product Improvement, Building Regulations & Photography

Onyx pursues a policy of continuous product improvement and our products may change following brochure photography. Exact product details should be discussed with your Onyx retailer at the time of purchase.

Installation and Safety

This product does not come with a standard three-pin plug, and therefore requires full installation to the mains by a qualified electrician. Onyx Orbit electric fires require a minimum 1mm² CSA / 16 AWG cable. Please refer to the instruction manual supplied with the product for full information. It is recommended that persons under the age of 12 should not be left unattended with the product when in operation unless a suitable fireguard is used to protect them against the possibility of direct contact.

Onyx Orbit fires are high-quality heavy appliances, and should be installed onto a suitable load bearing item, such as a ceiling joist or beam. Consult with an engineer or architect to assess the strength capacity of the prospective load bearing item and the required method of mounting.

onyx

Stovax Heating Group Ltd

Falcon Road, Sowton Industrial Estate,
Exeter, Devon, England EX2 7LF

Trade sales: 01392 261999 / NI: 01392 261990
info@onyxfires.com / NI: northernireland@onyxfires.com
Export sales: +44 1392 261990 • exportsales@onyxfires.com

onyxfires.com

© All material copyright Stovax Heating Group Ltd 2022 E & O.E. Paper sourced from sustainable forests & printed using vegetable based inks.

Proud to support Carbon Balanced Print

Offsetting emissions through carbon balanced paper & print production



ORBITBRO 0622



40 YEARS

STOVAX GAZCO

@stovaxgazco

